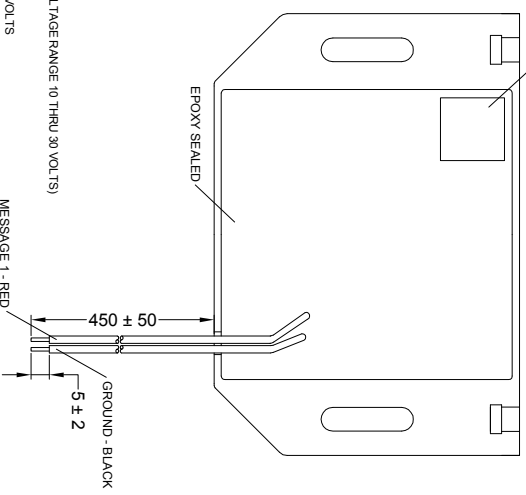
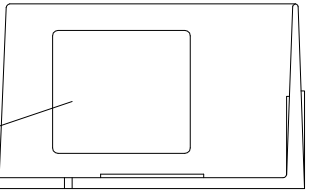
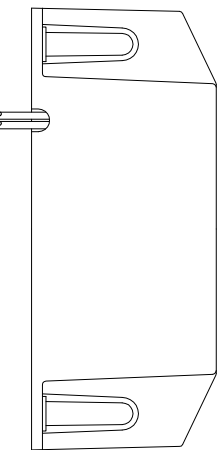
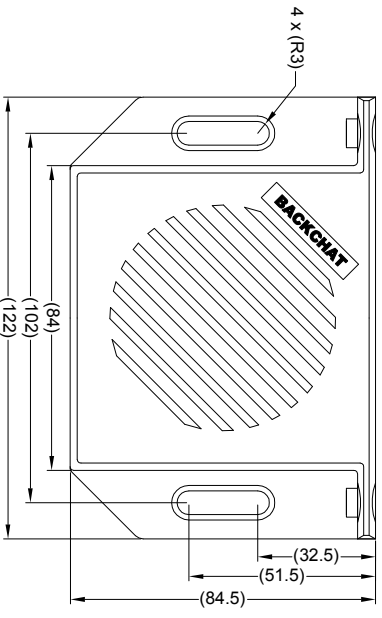
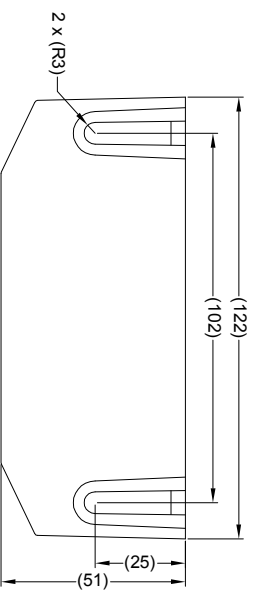


Revision Notes			
R1 - NOTES UPDATED TO INDICATE CORRECT LABEL DETAILS. STANDARDS UPDATED AS PER ECR CR-A253.			
APAT-AHEADULE	Drawn/BATES	Checked/MIBUTLER	Approved/GPUTH
			Date: 07/02/16



SPECIFICATION

RATED VOLTAGE: 12 AND 24 VOLTS DIRECT CURRENT (WORKING VOLTAGE RANGE 10 THRU 30 VOLTS)
 RATED CURRENT: 0.5 AMPERES OR LESS
 SOUND PRESSURE: 90±4 DECIBELS AT TEST VOLTAGE OF 14 AND 28 VOLTS
 CABLE THICKNESS: ALL CABLES 240 2MM
 MESSAGE(S): "BESPOKE CUSTOM MESSAGE"
 MESSAGE LIBRARY NUMBER(S): LIBRARY NUMBER IS ASSIGNED AFTER CONFIRMATION
 VOICE/ACCENT: DEPENDENT ON CUSTOM MESSAGE
 LANGUAGE: DEPENDENT ON CUSTOM MESSAGE

- NOTES:**
1. MATERIAL: ABS PLASTIC - ULTRA VIOLET STABILIZED
 2. FINISH: BLACK
 3. FOR PRODUCT LABEL REFER TO LATEST REVISION OF DRAWING BE-002749-XX-13.
 4. FOR GIFTBOX LABEL REFER TO LATEST REVISION OF DRAWING BE-002325-XX-13.
 5. FOR MANUFACTURE LABEL REFER TO LATEST REVISION OF DRAWING BE-001990-XX-12.
 6. 2 X M6 X 28 BOLTS, 2 X M6 FLAT WASHER & 2 X M6 NUTS ARE SUPPLIED IN A PRESS SEAL BAG IN THE BOX.
 7. POWER & MESSAGE CABLES LENGTHS ARE MEASURED FROM CABLE ENTRY POINT ON HOUSING.

PROPRIETARY NOTICE

THIS DESIGN AND TECHNICAL INFORMATION APPEARING ON THIS DRAWING IS THE PROPERTY OF BRIGADE ELECTRONICS, AND IS DISCLOSED IN CONFIDENCE. IT IS NOT TO BE COPIED, REPRODUCED, REVEALED TO OR EXPLOITED BY OTHERS, EITHER IN WHOLE OR IN PART WITHOUT THE EXPRESS WRITTEN CONSENT OF BRIGADE ELECTRONICS.



 Third Angle	Assembly PI Approval AHEDDLE	Approved by DKERALI	Checked by JNEWMAN	Drawn by MIBUTLER	
	Angle of Projection	Units mm	Scale N/A	Released 22/07/11	Assembly Ref BC-01(B)
	Status RELEASED				Part No #0079
					BE-0014,08-01-11

